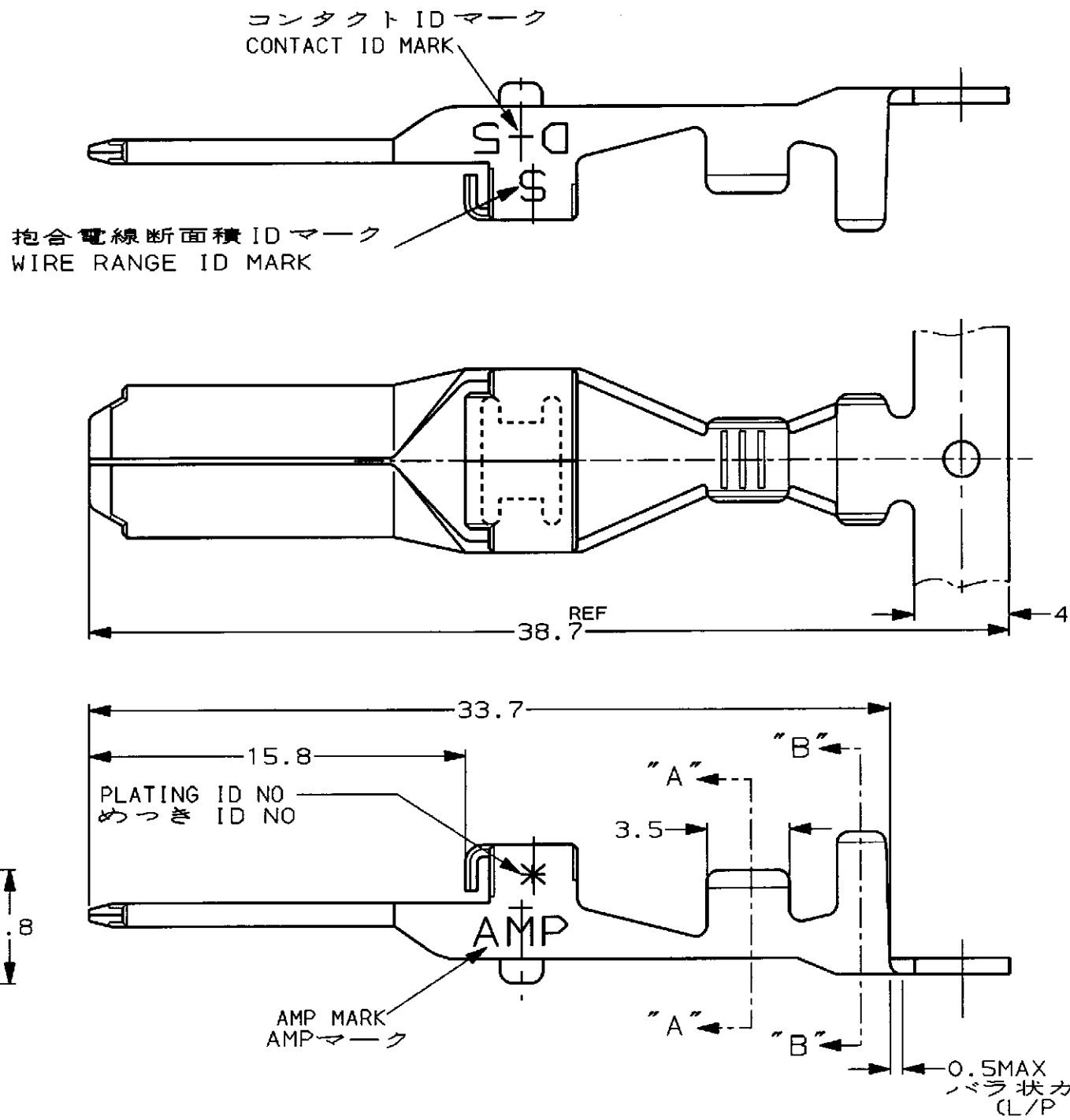
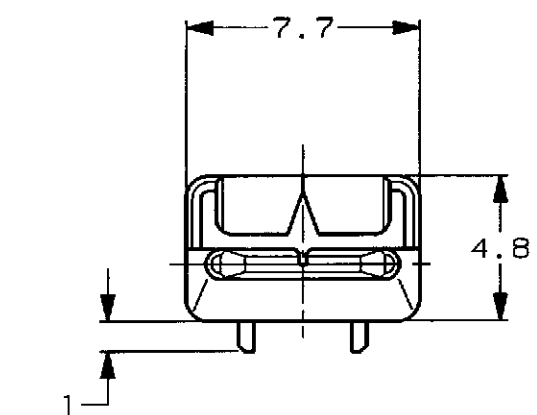
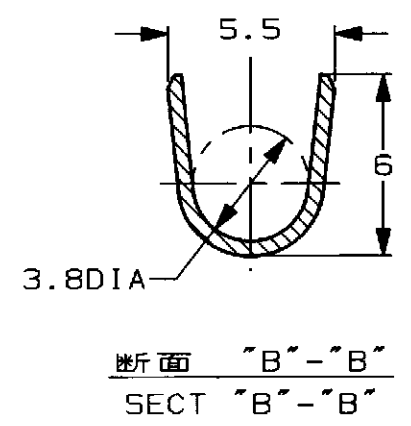
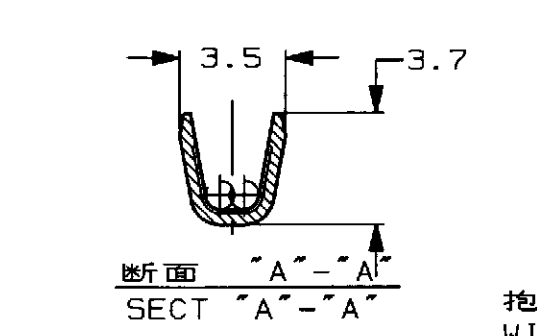


THIS DRAWING IS UNPUBLISHED. RELEASED FOR PUBLICATION ,1995
 © COPYRIGHT 1995 BY AMP INCORPORATED. ALL RIGHTS RESERVED.

LOC		DIST		REVISIONS				
P	LTR	DESCRIPTION	ECN	DATE	DWN	APVD		
J		0	RELEASED	FJ00-3551-95	1/NOV 95	K. I S.M		



注記

- ① めっき:コンタクト:全面Ni下地
接触部:0.38μm MIN金めっき
- ② めっき:コンタクト:全面Ni下地
接触部:0.76μm MIN金めっき

NOTES

- ① FINISH (CONTACT AREA): 0.38μm MIN GOLD PLATING OVER Ni PLATING
- ② FINISH (CONTACT AREA): 0.76μm MIN GOLD PLATING OVER Ni PLATING

めっき ID NO	仕上	バラ状 L/P	連鎖状 STRIPPED
PL ID CODE	FINISH	型番 (P/N)	

WIRE RANGE 抱合電線断面積 AWG #16/#14	1.23/2.27mm ²	INSULATION DIA 被覆外径 3/3.8 mm φ
--------------------------------------	--------------------------	--------------------------------------

THIS DRAWING IS A CONTROLLED DOCUMENT FOR AMP INCORPORATED. IT IS SUBJECT TO CHANGE AND THE CONTROLLING ENGINEERING ORGANIZATION SHOULD BE CONTACTED FOR THE LATEST REVISION.		DWN K. IKEDA 31/OCT/95
DIMENSIONS: 単位: 概 mm		CHK Y. Ishikawa 3/OCT/95
TOLERANCES UNLESS OTHERWISE SPECIFIED 一般公差 10μm : ±0.3 30μm : ±0.35 100μm : ±0.4 ANGLE : ±3°		APVD S. MURASE 1/NOV/95
MATERIAL 銅合金 (COPPER ALLOY)		PRODUCT SPEC 製品規格 108-5453
FINISH 仕上 SEE TABLE 表参照		APPLICATION SPEC 取付適用規格 114-5206
		WEIGHT T1
		CUSTOMER DRAWING

AMP 日本エー・エム・ピー株式会社 Kawasaki, Japan		
NAME 名称 TAB CONTACT "S" SIZE タブ コンタクト "S" サイズ <DYNAMIC D-5000 SERIES>		
SIZE A3	CAGE CODE 00779	DRAWING NO 番号 917802
SCALE 尺度 4-1		SHEET 1 OF 1
		REV 0